



JACON TECHNOLOGIES PTY. LTD.

24 EGERTON ST, SILVERWATER NSW 2128 AUSTRALIA

Phone: (612) 9737 9028 | Fax: (612) 9737 9031

Email: jacon@jacon.com.au | Web: www.jacon.com.au

JACON MIDJET MJ645090

4WD | SKID STEER

MACHINE DETAILS

DATE OF MANUFACTURE:	2006
CURRENT ENGINE HOURS	6213
CURRENT STATUS:	AVAILABLE



SCOPE OF SUPPLY

Jacon to supply one (1) Jacon Midjet, equipped with:

Drive Unit:

ENGINE:	Deutz BF4M1012C 24V
OUTPUT POWER:	104kW @ 2300rpm
STEERING:	4 Wheel Skid Steering
TRANSMISSION:	Bosch Rexroth Hydrostatic
CONTROLS:	Hydraulic Joystick
PARK BRAKE:	Inboard Hydraulic Disc on Each Wheel
SPEED:	11km/hr Road Speed, Fully Loaded
HYDRAULIC OIL CAPACITY:	Approximately 300 Litres
FEATURES:	Hydraulic Outriggers Compact Construction Poly-filled Tyres Catalytic Converter & Spark Arrestor Reverse Light Warning Strobe Light Chemical Pump with Digital Flowmeter



JACON TECHNOLOGIES PTY. LTD.

24 EGERTON ST, SILVERWATER NSW 2128 AUSTRALIA

Phone: (612) 9737 9028 | Fax: (612) 9737 9031

Email: jacon@jacon.com.au | Web: www.jacon.com.au

Shotcrete Pump (Jacon S64):

CONCRETE CYLINDERS:	150mm Hard Chromed with 1145mm Stroke
HYDRAULIC PRESSURE MAX:	210 bar
LINE PRESSURE MAX:	47 bar
FEATURES:	Dual Circuit Hydraulic System, for Positive Swingtube Displacement. Fully Hydraulic Pilot System with Electric Instant Reverse Control on Main Cylinders Fully Automatic Stroke Adjustment Pressure Filtration Hydraulic Oil Cooler Pump Can Be Controlled by Remote Control Forward / Reverse and On / Off.
RATED OUTPUT:	20 Cubic metres per hour at 16 Strokes per minute
ACTUAL OUTPUT:	0-18 Cubic metres per hour
VERTICAL HEIGHT:	50 metres
HORIZONTAL DISTANCE:	180 metres
AGGREGATE SIZES:	Up to 40mm that falls within accepted grading curve envelopes for pump mix

Shotcrete Boom:

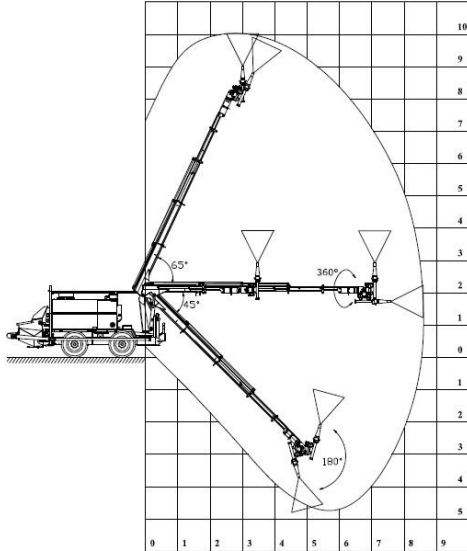
TYPE:	Triple extension 9 metre reach slewing boom
VERTICAL REACH:	9 metres
HORIZONTAL REACH:	7.5 metres
NOZZLE SLEWING ANGLE:	360' Rotation. 180' Tilt.
FEATURES:	Air and Chemical injection at nozzle 16 Function fully proportional Radio Remote Control Joystick operation with full manual over-ride feature on all functions. Also includes electrical cord back up.



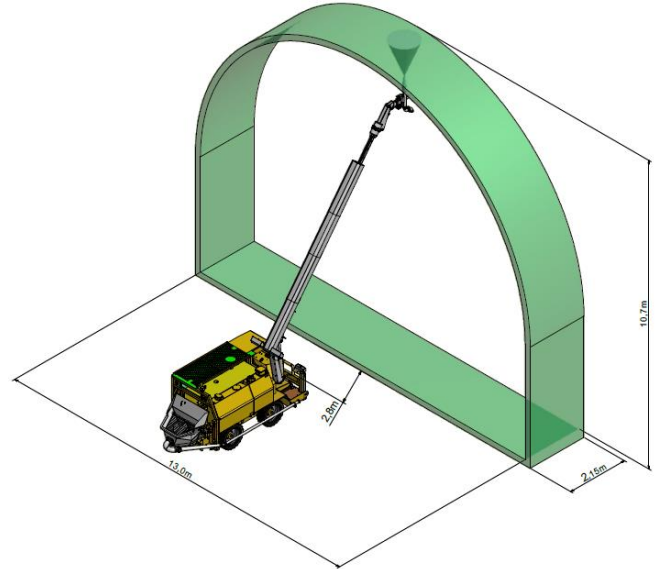
JACON TECHNOLOGIES PTY. LTD.

24 EGERTON ST, SILVERWATER NSW 2128 AUSTRALIA
 Phone: (612) 9737 9028 | Fax: (612) 9737 9031
 Email: jacon@jacon.com.au | Web: www.jacon.com.au

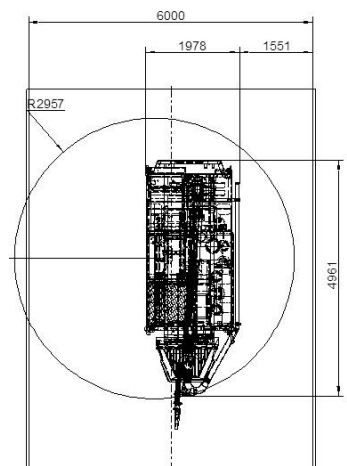
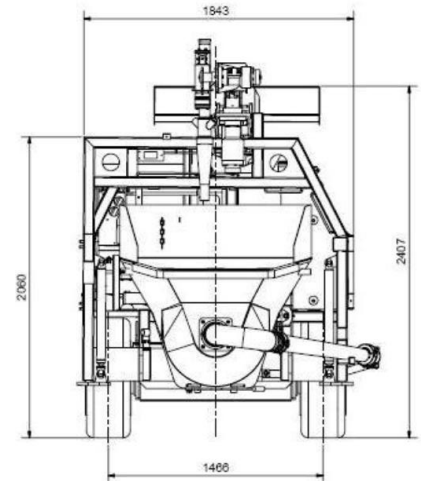
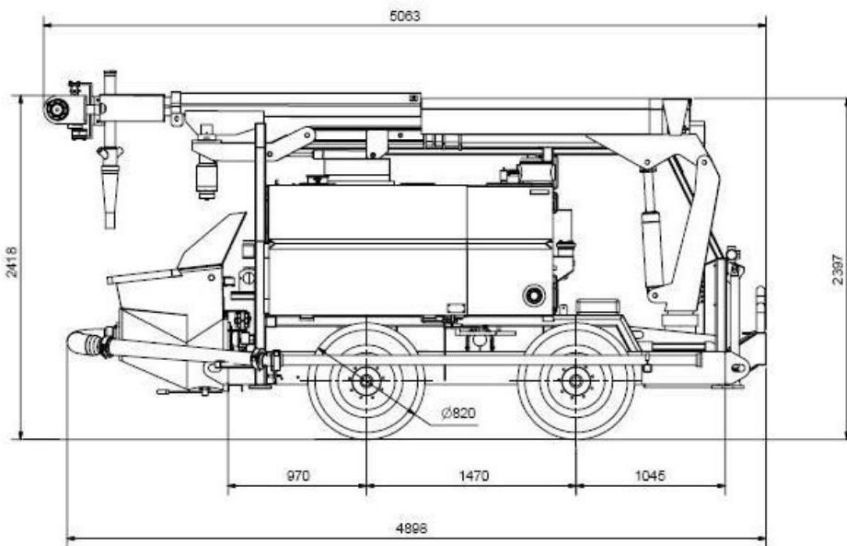
BOOM OPERATING DIAGRAM



SPRAYING DIAGRAM



DIMENSIONS & TURNING RADIUS



DRIVE & GRADEABILITY

Max Speed @ 0% Grade	9km/h
Max Speed @ 5% Grade	8.6km/h
Max Speed @ 10% Grade	8.2km/h
Max Speed @ 15% Grade	7.8km/h
Max Speed @ 20% Grade	7.7km/h
Max Speed @ 25% Grade	7km/h
Max Grade Climb Ability	60% @ 4.2km/h

WITH JACON TECHNOLOGY, THERE'S ALWAYS A LIGHT AT THE END OF THE TUNNEL