

S100 TRAILER MOUNTED CONCRETE PUMP



The S100 trailer mounted concrete pump has been specifically engineered to increase your productivity and most importantly, your profitability to ensure Jacon is the right partner for you.

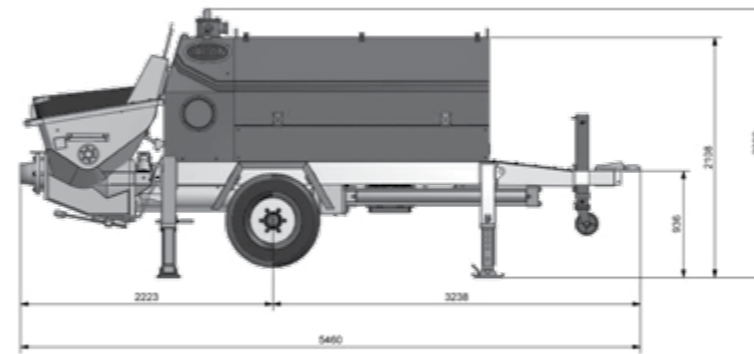
The S100 trailer mounted concrete pump is a small to medium size pump. With an output of up to 100m³/hr, a vertical reach of 100 metres and a horizontal reach of up to 350 metres, this Jacon pump is capable of working in the most versatile jobsites.

Containing the superbly engineered "S" valve, the S100 trailer mounted concrete pump is capable of handling extremely harsh mixes as well as low slump concrete. This compact and robust unit can be utilised for many applications within the civil mining industry such as foots, concrete slabs, blockfilling, footpaths and driveways.

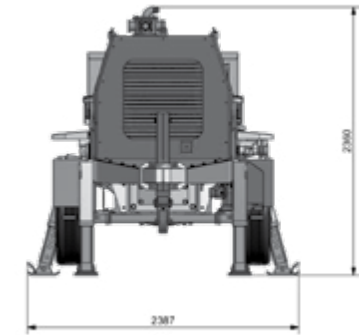
ROBUST AND RELIABLE, THIS MACHINE IS PURPOSE BUILT FOR TROUBLE FREE OPERATION



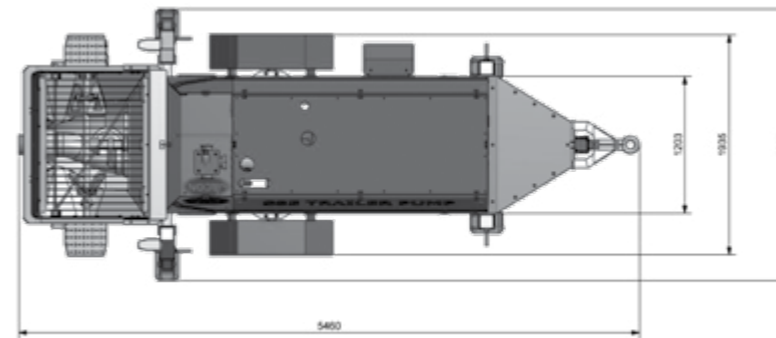
DIMENSIONS



SIDE VIEW



FRONT VIEW



TOP VIEW

SPECIFICATIONS

Pump	203mm hard chromed concrete cylinders with 1440mm stroke.
Power Unit	Turbo Engine 168KW @ 2800RPM
Hydraulic Pressure Max	350 Bar
Rated Output	0-100 Cubic Metres / Hour
Line Pressure Max	80 Bar
Vertical Reach	100 Metres
Horizontal Reach	350 Metres

Aggregate size: *Up to 60mm that falls within the accepted grading curve for pump mix.
 Note: *Performance may vary due to material mix or line set up.
 *Maximum vertical & horizontal reach cannot be achieved simultaneously.

OPTIONAL ADDITIONS

- Air Blow Out System
- 4 Channel Remote Control System
- High Pressure Manual Greasing System
- High Pressure Multi-Stage Water Pump
- Standard Pipeline Kit
- Blockfill Kit

FEATURES

- Variable displacement hydraulic pump
- Hydraulic pilot system with manual over-ride feature
- Dual circuit hydraulic system for smooth positive swinger tube displacement action
- Fully automatic stroke adjustment
- Pressure filtration
- Bathtub style Hopper
- Hopper remixer
- Self-adjusting wear ring for pumping harsh mixes
- 2 front and rear manual stabiliser jack legs

Specifications subject to change without notice | For further equipment details contact info@jacon.com.au