



T125 TRUCK MOUNTED CONCRETE PUMP

The T125 truck mounted concrete pump has been specifically engineered to increase your productivity and most importantly, your profitability to ensure Jacon is the right partner for you.

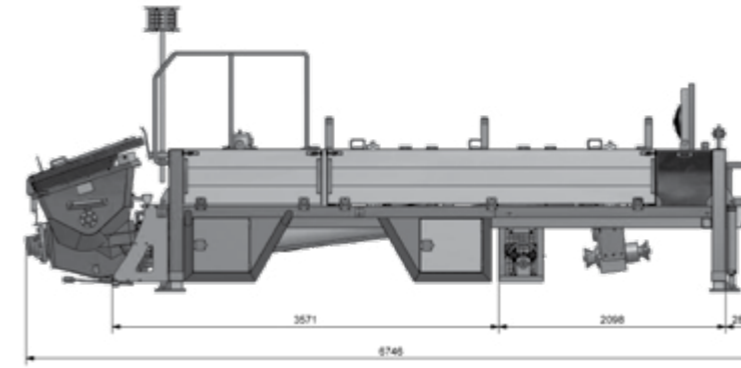
The T125 truck mounted concrete pump is a large capacity pump which can be utilised for a range of concrete pumping services such as footings, concrete slabs, blockfilling, footpaths and driveways. With a vertical reach of 160 metres and a horizontal reach of 520 metres, this Jacon pump is capable of working in the most versatile jobsites.

Containing the superbly engineered "S" valve, the T125 truck mounted concrete pump is capable of handling extremely harsh mixes as well as low slump concrete. With an output of up to 125m³/hr, this compact and robust unit can be utilised for many applications within the civil industry.

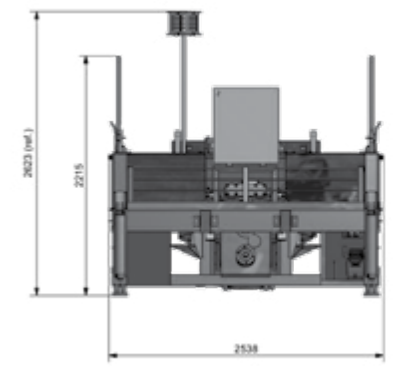
ROBUST AND RELIABLE, THIS MACHINE IS PURPOSE BUILT FOR TROUBLE FREE OPERATION



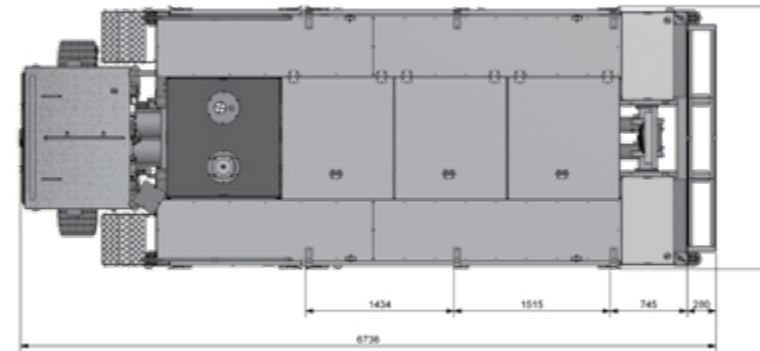
DIMENSIONS



SIDE VIEW



FRONT VIEW



TOP VIEW

SPECIFICATIONS

Pump	230mm hardchromed concrete cylinders with 2100mm stroke. Swinger tube model with dual reciprocating pistons
Power Source	Split Shaft P.T.O driven from truck engine.
Hydraulic Pressure Max	350 Bar
Rated Output	125 Cubic Metres / Hour
Line Pressure Max	110 Bar
Vertical Reach	160 Metres
Horizontal Reach	520 Metres

Aggregate size: *Up to 60mm that falls within the accepted grading curve for pump mix.
Note: *Performance may vary due to material mix or line set up.

OPTIONAL EQUIPMENT

- 4 Channel Remote control
- Standard Pipeline Kit
- Blockfill Kit
- Bathtub style hopper c/w Remixer
- High Pressure Waterpump
- Spraying Kit
- Hydraulic Jack Legs (on front)
- High Pressure Greasing System

FEATURES

- Dual circuit hydraulic system for smooth positive swinger tube action
- Hydraulic pilot system with manual over-ride feature
- Self-adjusting wear ring for pumping harsh mixes
- Variable Displacement Piston Pumps
- Bathtub style hopper
- Hopper remixer
- Air Blowout System
- Water washout system with Stainless Steel water tanks
- Hopper Grate safety interlock
- Drop down doors on side of unit
- Standard LED Road Lighting

Specifications subject to change without notice | For further equipment details contact info@jacon.com.au