

UTIMINE SERIES - CASSETTE VEHICLE (JCV3) - SERIES 3 CARRIER



The Jacon cassette vehicle provides a cost effective solution for mining and tunnelling jobsites whereby one operator and one vehicle can be utilised for a number of different applications.

The system consists of various cassettes, each module providing a different solution which is quick coupled to our multipurpose carrier.

The cassette jack legs and guide permits a cassette set up in as little as 3-4 minutes. The vehicle drives under the cassette where the each cassette transitions straight into place with the assistance of the cassette guide. The cassette fittings are quick coupled to ensure the operator gains maximum efficiency. The maximum payload for each cassette is 6 tonnes.

Available standard cassettes include; explosives cassette, fuel cassette, material carrier with crane, water tanker, 3 tonne scissor-lift, sludge vacuum, lube cassette, service module, and emulsion cassette.

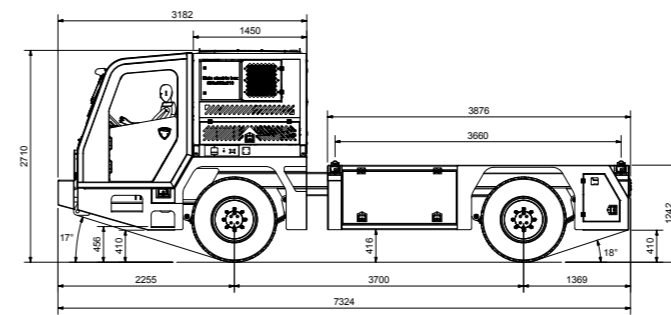
Mounted with airbag and spring suspension grants the driver and passengers with a pleasant ride whilst maintaining a steady rear load. The east-west mounted engine package and forward tilting front cabin has allowed for quick and easy access for maintenance staff during service intervals.

Complying to all mining safety regulations, we pride ourselves on our ability to maintain safe operations. All vehicles are built with FOPS/ROPS passenger cabins, contain all safety interlocks and markings and come with required certifications.

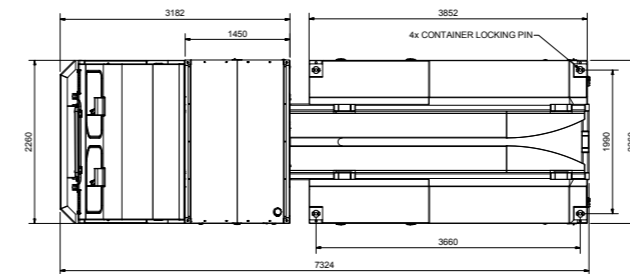
**BUILT TO LAST,
THIS UTILITY
VEHICLE HAS
PROVEN TO BE A
COST EFFECTIVE
SOLUTION
FOR MINE
OPERATIONS.**



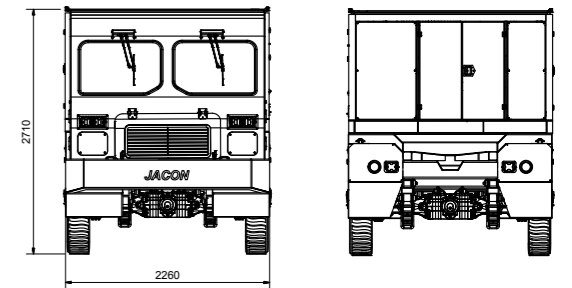
DIMENSIONS



SIDE VIEW



TOP VIEW

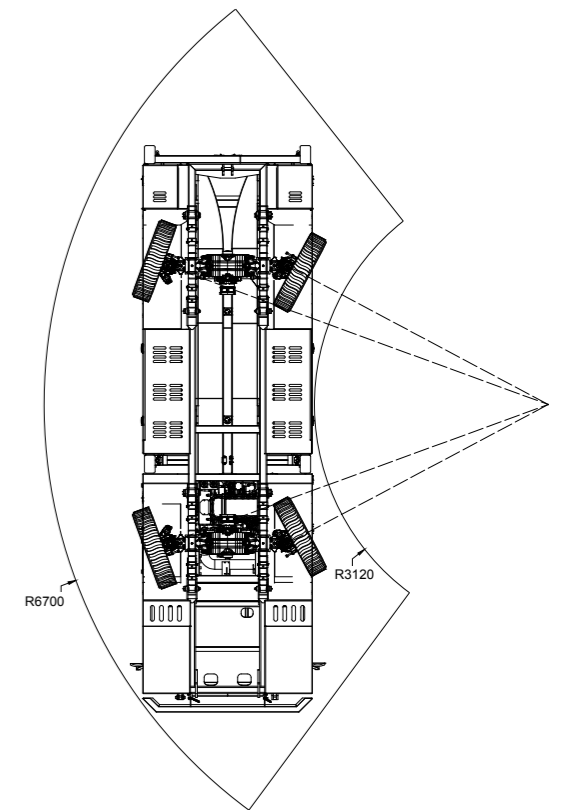


FRONT & BACK VIEW

SPECIFICATIONS

ENGINE	168kw @ 2200rpm	
CARRYING CAPACITY	6,000 kgs	
CASSETTE OPTIONS		
Fuel Tanker	Explosives Carrier	Emulsion Module
Sludge Suction	3T Scissorlift	Service Module
Lube Carrier	Water Tanker	Material Carrier
DRIVE		
Diesel-Hydraulic Drive	Standard	
Electric-Hydraulic Drive	x	
Diesel & Electric Drive	x	
DIMENSIONS		
Length	7324	
Width	2260	
Height	2710	
Total Weight (Unloaded)	6,000 kgs	
Total Weight (Fully Loaded)	12,000 kgs	
Steering Type	4WD/4WS	
TURNING RADIUS		
Inner	R3120	
Outer	R6700	
DRIVE & GRADEABILITY	UNLOADED = 6T	LOADED = 12T
Max Speed @ 0% Grade	58km/h	56km/h
Max Speed @ 5% Grade	46km/h	32km/h
Max Speed @ 10% Grade	35km/h	23km/h
Max Speed @ 15% Grade	37km/h	18km/h
Max Speed @ 20% Grade	24km/h	-
Max Speed @ 25% Grade	20km/h	-
Max Grade Climb Ability	35% @ 15km/h	16% @ 16km/h

TURNING RADIUS



Specifications subject to change without notice | For further equipment details contact info@jacon.com.au