



# MAXIJET X3

The Jacon Maxijet X3 is a mid-sized shotcrete rig designed and built for tramming in harsh conditions, steep inclines and long distance.

The robust and reliable Maxijet X3 comes complete with four-wheel drive, four-wheel steer driveline consisting of a hydrostatic transmission powered by a choice of diesel engines connected to drive/steering axles. The short wheel base and four-wheel steer makes the Maxijet X3 extremely manoeuvrable even in the tightest drives.

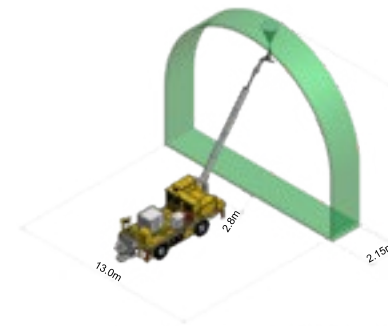
Incorporating a long stroking large volume piston type shotcrete pump resulting in less wear and pulsation, a telescopic shotcrete boom with 10m reach, an optional chemical dosing system integrated with the pump stroking and electronically metered with totaliser for the end of shift, and the cordless remote control with cord back up, provides the operator with greater flexibility and safety throughout the job.

With the option of electric operation, the operator is capable of applying shotcrete whilst reducing heat and diesel particulates in the mine. With miners safety being paramount in mining operations, this machine's functionality will meet all clients expectations.

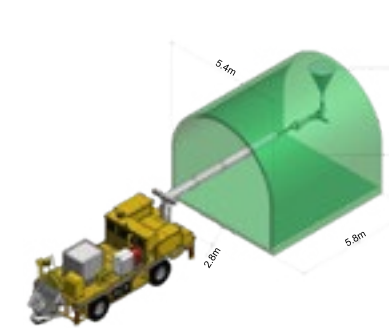
**A ROBUST, VERSATILE SHOTCRETE RIG BUILT FOR ALL KINDS OF UNDERGROUND MINING CONDITIONS. 4 WHEEL DRIVE, 4 WHEEL STEER.**



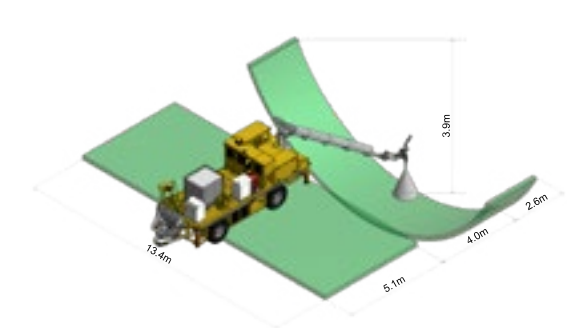
## SPRAYING AREA



SPRAYING COVERAGE ON BOOM  
MAXIMUM REACH

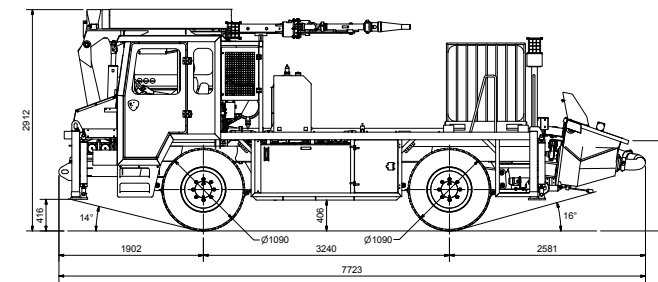


MAXIMUM SPRAYING COVERAGE AREA

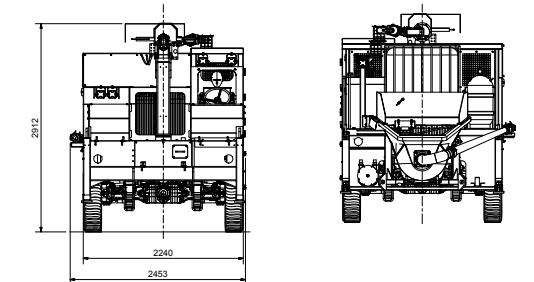


SPRAYING COVERAGE TO INVERT

## DIMENSIONS



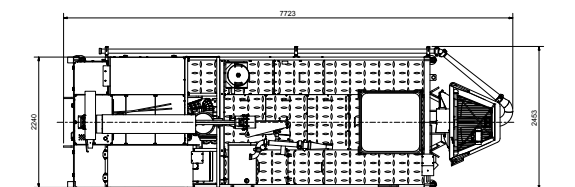
SIDE VIEW



FRONT & BACK VIEW

## SPECIFICATIONS

<b>ENGINE</b>	CAT 7.1 Tier 3   168kW @ 2200rpm
<b>PUMP CAPACITY</b>	30m <sup>3</sup> /hour
<b>DRIVE</b>	
Diesel-Hydraulic Drive	Standard
Electric-Hydraulic Drive	Optional
Diesel & Electric Drive	Optional
<b>DIMENSIONS</b>	
Length	7723
Width	2453
Height	2912
Total Weight (Empty)	10,300kgs
Total Weight (Full Loaded)	13,700kgs
Steering Type	4WD/4WS
<b>TURNING RADIUS</b>	
Inner	R2717
Outer	R5997
<b>DRIVE &amp; GRADEABILITY</b>	
Max Speed @ 0% Grade	22km/h
Max Speed @ 5% Grade	19.4km/h
Max Speed @ 10% Grade	16.9km/h
Max Speed @ 15% Grade	14km/h
Max Speed @ 20% Grade	11.7km/h
Max Speed @ 25% Grade	9.2km/h
Max Grade Climb Ability	26% @ 8.7km/h



TOP VIEW

## TURNING RADIUS

