

# TRANSMIX X5



The Transmix X5 is a compact, low profile mobile concrete mixer, specifically engineered for underground mining conditions.

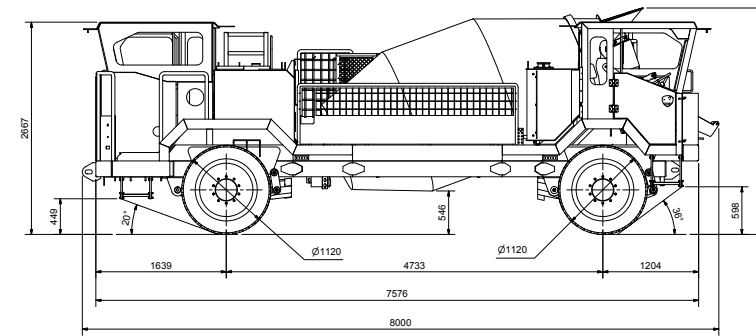
The Jacon Transmixer range has cabins at both ends of the rig, enabling the operator to drive into a decline or shaft cage and drive out again without turning the machine around. The Jacon Transmixers feature multi-mode 4 wheel steer functionality and variable hydrostatic transmission which allows maximum speed whilst handling inclines with ease, even when fully laden. Compact and manoeuvrable, the Jacon Transmixers are able to carry all the materials needed to support shotcrete operations performed by its stablemates.

Compact & low profile, this Transmixer is a perfect solution for smaller, narrow tunnels, whilst maintaining capabilities of performing in larger, tougher jobs. These added values give the Jacon Transmix X5 an edge over other alternatives.

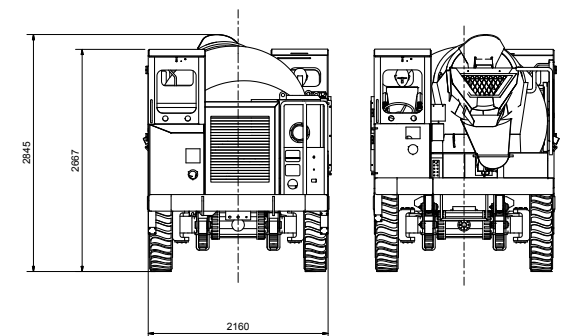
**A COMPLETE AND UNIQUE SOLUTION TO BATCH MIXING AND TRANSPORTATION OF CONCRETE IN MINES AND TUNNELS**



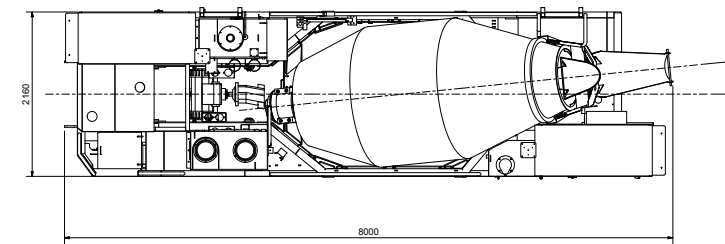
## DIMENSIONS



SIDE VIEW



FRONT & BACK VIEW



TOP VIEW

## SPECIFICATIONS

<b>ENGINE</b>	205kW @ 2200rpm
<b>DRUM CAPACITY</b>	5m <sup>3</sup> bowl
<b>DRIVE</b>	
Diesel-Hydraulic Drive	Standard
Electric-Hydraulic Drive	x
Diesel & Electric Drive	x
<b>DIMENSIONS</b>	
Length	8000
Width	2160
Height	2845
Total Weight (Empty)	12,370kgs
Total Weight (Full Loaded)	24,870kgs
Steering Type	4WD/4WS
<b>TURNING RADIUS</b>	
Inner	R3869
Outer	R7414
<b>DRIVE &amp; GRADEABILITY</b>	
Max Speed @ 0% Grade	Empty: 25km/h   Full: 22km/h
Max Speed @ 5% Grade	Empty: 18.4km/h   Full: 15km/h
Max Speed @ 10% Grade	Empty: 16.6km/h   Full: 11km/h
Max Speed @ 15% Grade	Empty: 13km/h   Full: 8km/h
Max Speed @ 20% Grade	Empty: 11km/h   Full: 6.7km/h
Max Speed @ 25% Grade	Empty: 9.2km/h   Full: 5.9km/h
Max Grade Climb Ability	Full Load: 29% @ 4.7km/h

## TURNING RADIUS

