

TRANSMIX 6000



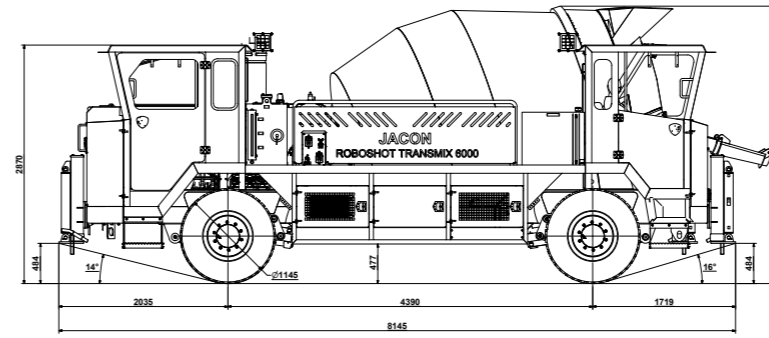
The Jacon Transmix 6000 has been specifically designed and built for long life and trouble free operation even in the toughest underground conditions

The Jacon Transmixer range has cabins at both ends of the rig, enabling the operator to drive into a decline or shaft cage and drive out again without turning the machine around. The Jacon Transmixers feature multi-mode 4 wheel steer functionality and variable hydrostatic transmission which allows maximum speed whilst handling inclines with ease, even when fully laden. Compact and manoeuvrable, the Jacon Transmixers are able to carry all the materials needed to support shotcrete operations performed by its stablemates.

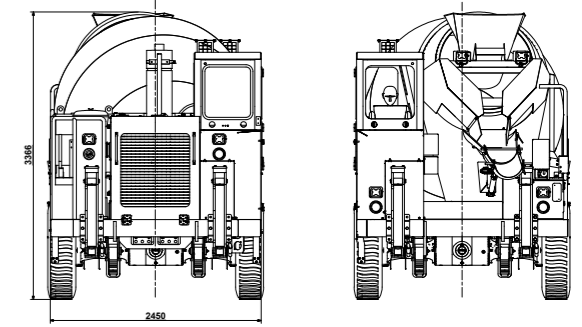
A COMPLETE AND UNIQUE SOLUTION TO BATCH MIXING AND TRANSPORTATION OF CONCRETE IN MINES AND TUNNELS



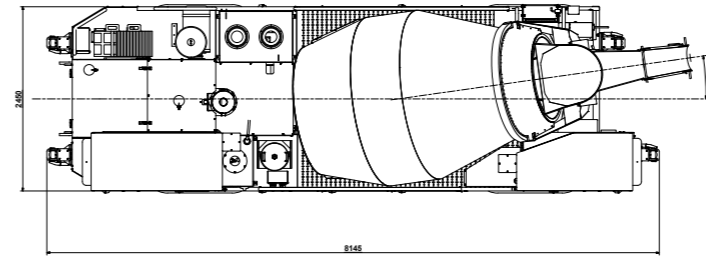
DIMENSIONS



SIDE VIEW



FRONT & BACK VIEW

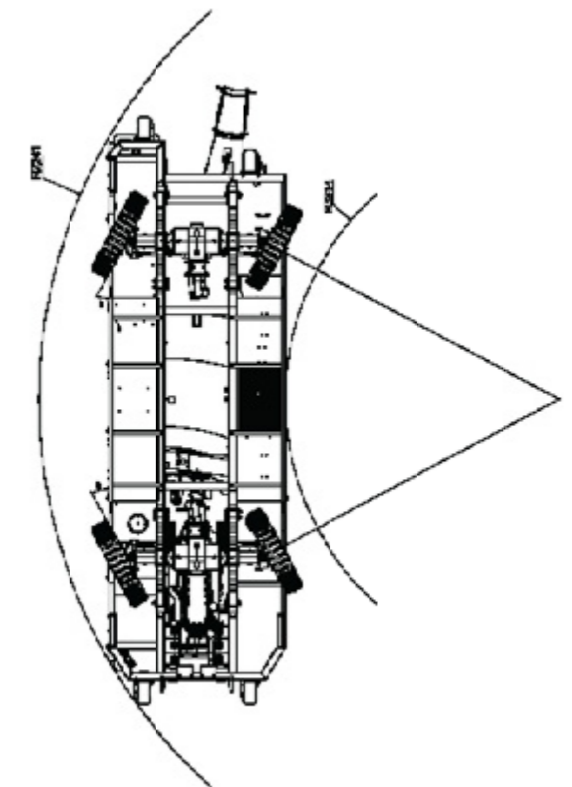


TOP VIEW

SPECIFICATIONS

ENGINE	CAT C7 Tier 3 205KW @ 2200 RPM
DRUM CAPACITY	6m ³ bowl
DRIVE	
Diesel-Hydraulic Drive	Standard
Electric-Hydraulic Drive	x
Diesel & Electric Drive	x
DIMENSIONS	
Length	8145
Width	2450
Height	3339
Total Weight (Empty)	12,100kgs
Total Weight (Full Loaded)	26,600kgs
Steering Type	4WD/4WS
TURNING RADIUS	
Inner	R3814
Outer	R7241
DRIVE & GRADEABILITY	
Max Speed @ 0% Grade	Empty: 21km/h Full: 18km/h
Max Speed @ 5% Grade	Empty: 17.2 km/h Full: 15.9km/h
Max Speed @ 10% Grade	Empty: 16.4km/h Full: 13.8km/h
Max Speed @ 15% Grade	Empty: 15.6km/h Full: 11.6km/h
Max Speed @ 20% Grade	Empty: 14.8km/h Full: 9.5km/h
Max Speed @ 25% Grade	Empty: 14 Km/h Full: 7.4km/h
Max Grade Climb Ability	Full Load: 25% @ 6 Km/h

TURNING RADIUS



Specifications subject to change without notice | For further equipment details contact info@jacon.com.au