

LOW PROFILE TRANSMIX 5000



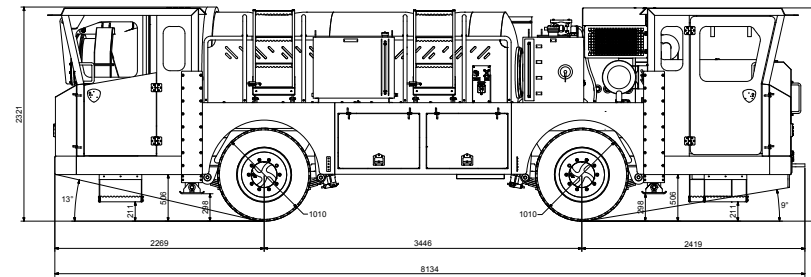
The Low Profile Transmix 5000 is a compact, low profile mobile concrete mixer, specifically engineered for underground mining conditions.

The Jacon Transmixer range has cabins at both ends of the rig, enabling the operator to drive into a decline or shaft cage and drive out again without turning the machine around. The Jacon Transmixers feature multi-mode 4 wheel steer functionality and variable hydrostatic transmission which allows maximum speed whilst handling inclines with ease, even when fully laden. Compact and manoeuvrable, the Jacon Transmixers are able to carry all the materials needed to support shotcrete operations performed by its stablemates.

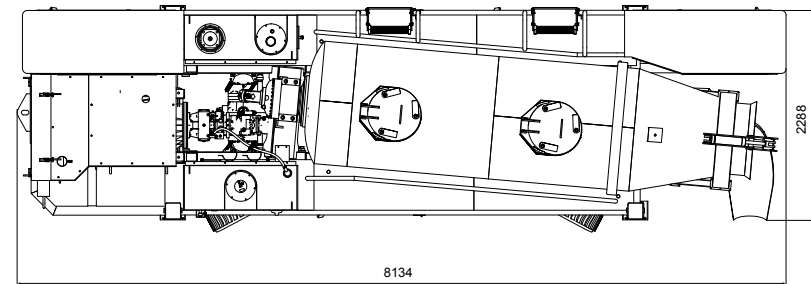
Compact & low profile, this Transmixer is a perfect solution for smaller, narrow tunnels, whilst maintaining capabilities of performing in larger, tougher jobs. These added values give the Jacon Low Profile Transmix 5000 an edge over other alternatives.

A COMPLETE AND UNIQUE SOLUTION TO BATCH MIXING AND TRANSPORTATION OF CONCRETE IN MINES AND TUNNELS

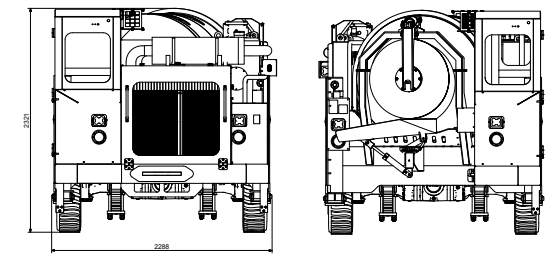
DIMENSIONS



SIDE VIEW



TOP VIEW

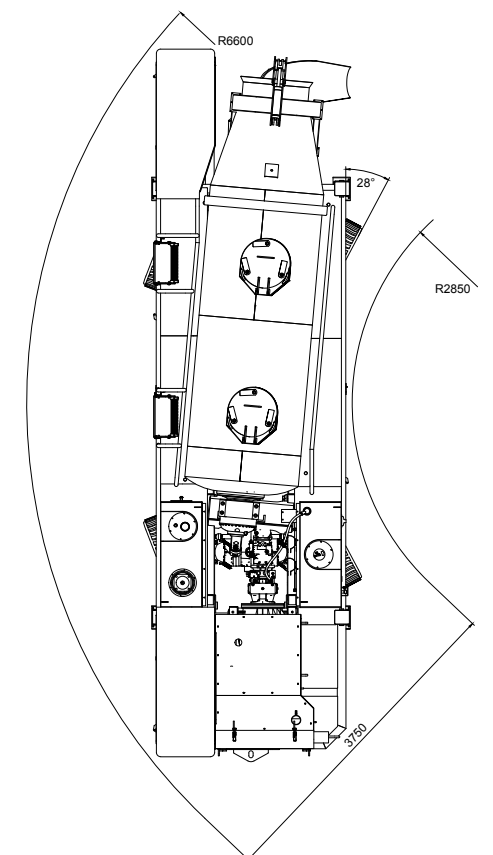


FRONT & BACK VIEW

SPECIFICATIONS

| | |
|---------------------------------|--------------------------------|
| ENGINE | CAT C71 205kw @ 2200rpm |
| DRUM CAPACITY | 5m ³ bowl |
| DRIVE | |
| Diesel-Hydraulic Drive | Standard |
| Electric-Hydraulic Drive | x |
| Diesel & Electric Drive | x |
| DIMENSIONS | |
| Length | 8134 |
| Width | 2288 |
| Height | 2321 |
| Total Weight (Empty) | 12,370kgs |
| Total Weight (Full Loaded) | 24,870kgs |
| Steering Type | 4WD/4WS |
| TURNING RADIUS | |
| Inner | R2850 |
| Outer | R6600 |
| DRIVE & GRADEABILITY | |
| Max Speed @ 0% Grade | Empty: 25km/h Full: 22km/h |
| Max Speed @ 5% Grade | Empty: 18.4km/h Full: 15km/h |
| Max Speed @ 10% Grade | Empty: 16.6km/h Full: 11km/h |
| Max Speed @ 15% Grade | Empty: 13km/h Full: 8km/h |
| Max Speed @ 20% Grade | Empty: 11km/h Full: 6.7km/h |
| Max Speed @ 25% Grade | Empty: 9.2km/h Full: 5.9km/h |
| Max Grade Climb Ability | Full Load: 29% @ 4.7km/h |

TURNING RADIUS



Specifications subject to change without notice | For further equipment details contact info@jacon.com.au